



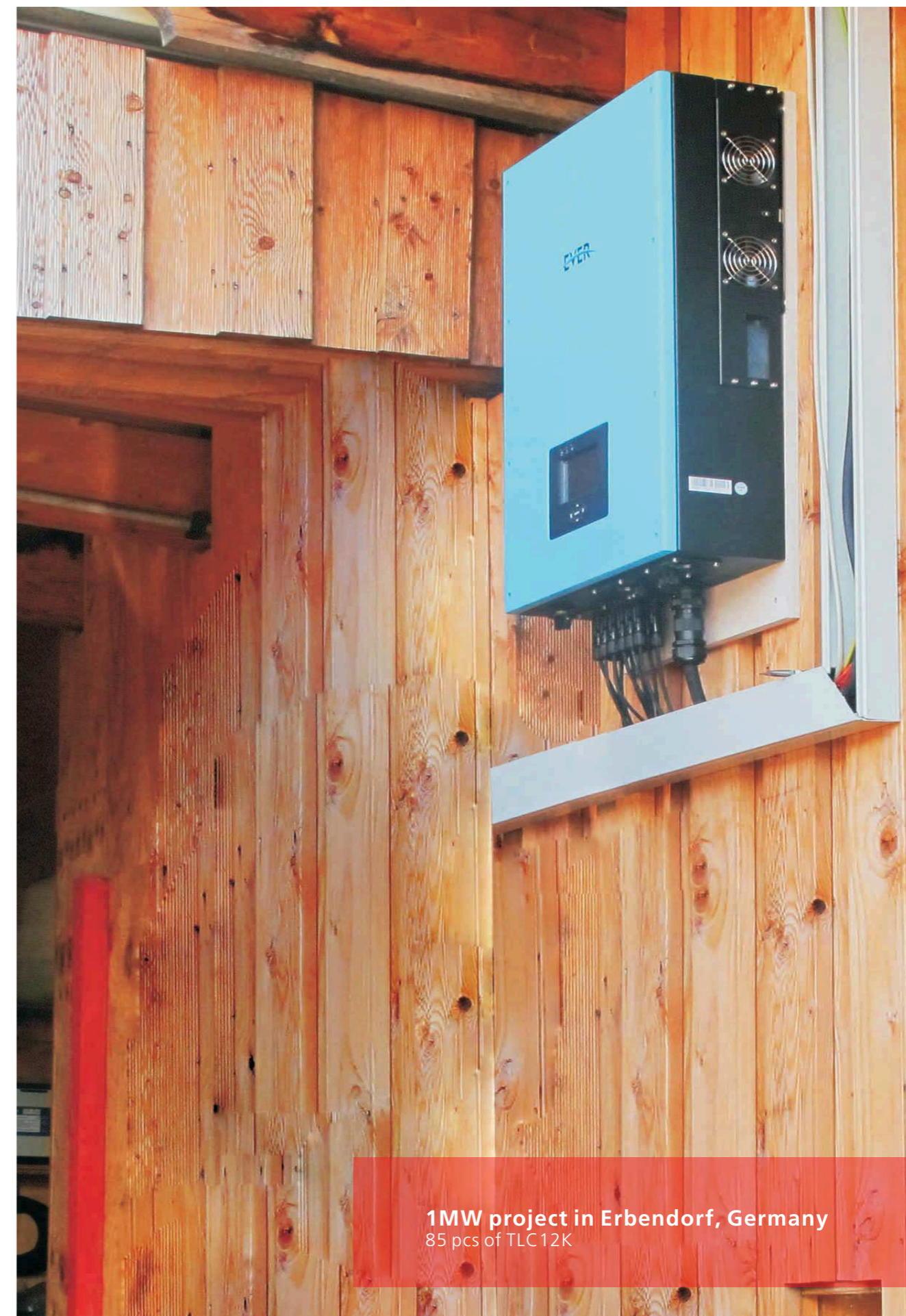
G83 SAA DVE GS ENEL Guida G59/2 CE RD1663 CAC

## PV Grid-connected Inverter

Eversol TLC 10K /12K /15K /17K/20K

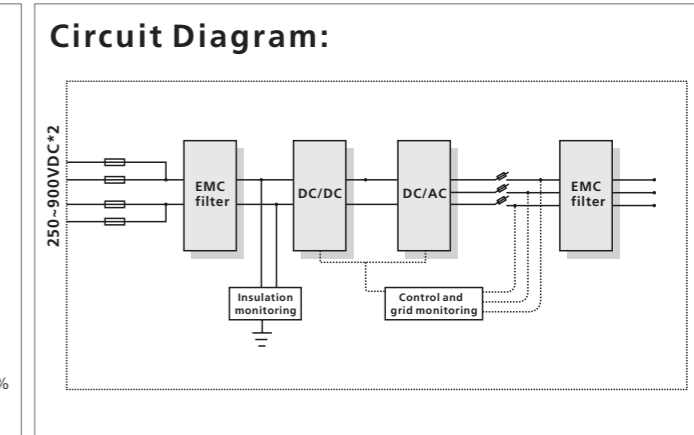
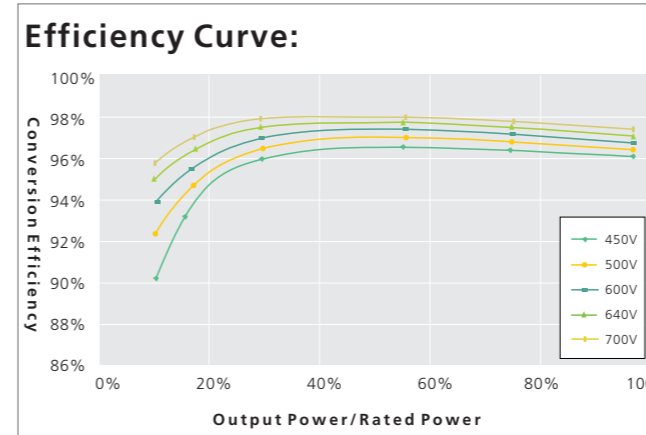
### Features:

- Function of low voltage ride through
- Maximum efficiency of 98.2%
- Wide range of DC input and MPPT voltage
- High protection class:IP65
- Low turn-off DC voltage
- With two MPP trackers, improve power generation
- Comprehensive function of fault detection
- Graphic Display
- Certificate: VDE-AR-N-4105, VDE0126-1-1,CE,G59/2, etc.
- In line with the German BDEW Medium Voltage Directive



1MW project in Erbdorf, Germany  
85 pcs of TLC12K

# Eversol TLC10K /TLC12K /TLC15K /TLC17K/TLC20K



Technical Data	TLC 10K	TLC 12K
<b>DC input data</b>		
Max. PV-generator power [W]	10400	12500
Max. DC voltage [V]	900	900
MPPT voltage range [V]	270 - 800	270 - 800
Turn off DC voltage [V]	220	220
Max. DC current (input A/input B) [A]	22/11	22/11
Number of MPP trackers	2	2
Max.number of Parallel(A/B)	4\1	4\1
<b>Output data</b>		
Power connection	3/N/PE,230/400V	
Rated AC power [W]	10000	12000
Max. AC power [W]	10000	12000
Grid voltage range [V]	According to AS4777, VDE 0126-1-1,VDE-AR-N 4105,G59/2,Enel Guida,RD1663,CQC	
Grid frequency range [Hz]	According to AS4777, VDE 0126-1-1,VDE-AR-N 4105,G59/2,Enel Guida,RD1663,CQC	
Max. current [A]	16	19.2
Power factor [cos Ø]	0.85 inductive...0.85 capacitive	
Harmonic distortion (THD) at rated output	<3%	
Power consumption at night [W]	<0.6	
Power consumption at standby [W]	<12	
<b>Efficiency</b>		
Max. efficiency	98.00%	
Euro efficiency	97.50%	
MPPT adaptation efficiency	99.50%	
<b>Safety equipment</b>		
Internal DC voltage Surge protection	Type 3 Integrated	
DC Insulation monitoring	Integrated	
Earth fault protection	Integrated	
Mains monitoring	Integrated	
Earth fault current monitoring	Integrated	
DC current monitoring	Integrated	
EMC	EN 61000-6-1,EN 61000-6-2,EN 61000-6-3,EN 61000-6-4	
BDEW	Integrated	
<b>Normative reference</b>		
CE- compliant according to	EN61000-3-12, EN61000-3-11	
<b>General data</b>		
Dimensions (WxHxD) [mm]	500*720*175	
Weight [kg]	50	
Installation environment	Indoor and Outdoor	
Mounting information	Wall bracket	
Operating temperature range	-20°C ... +60°C ( up 45°C derating )	
Relative humidity	0% ~ 98%, no condensation	
IP protection type	IP 65 according to EN 60529	
Isolation type	Transformerless	
Cooling concept	Fan cooling	
Noise level	< 50 dB(A)	
LED display	3	
LCD display	800X480 Pixel TFT LCD	
Communication interface	RS485 / RS232 / USB / Wireless(Optional)	
Standard warranty	5years	

Technical Data	TLC 15K	TLC 17K	TLC 20K
<b>DC input data</b>			
Max. PV-generator power [W]	15600	17600	20800
Max. DC voltage [V]	900	900	900
MPPT voltage range [V]	270 - 800	270 - 800	450 - 800
Turn off DC voltage [V]	220	220	250
Max. DC current (input A/input B) [A]	22/22	22/22	22/22
Number of MPP trackers	2	2	2
Max.number of Parallel(A/B)	3\3	3\3	3\3
<b>Output data</b>			
Power connection	3/N/PE,230/400V		
Rated AC power [W]	15000	17000	20000
Max. AC power [W]	15000	17000	20000
Grid voltage range [V]	AS4777, VDE 0126,VDE-AR-N 4105,G59/2,Enel Guida,RD1663,CQC VDE-AR-N 4105,CQC		
Grid frequency range [Hz]	AS4777, VDE 0126,VDE-AR-N 4105,G59/2,Enel Guida,RD1663,CQC VDE-AR-N 4105,CQC		
Max. current [A]	24	25.8	30
Power factor [cos Ø]	0.85 inductive...0.85 capacitive 0.9 inductive...0.9 capacitive		
Harmonic distortion (THD) at rated output	<3%		
Power consumption at night [W]	<0.6		
Power consumption at standby [W]	<12		
<b>Efficiency</b>			
Max. efficiency	98.20%		
Euro efficiency	97.50%		
MPPT adaptation efficiency	99.50%		
<b>Safety equipment</b>			
Internal DC voltage Surge protection	Type 3 Integrated		
DC Insulation monitoring	Integrated		
Earth fault protection	Integrated		
Mains monitoring	Integrated		
Earth fault current monitoring	Integrated		
DC current monitoring	Integrated		
EMC	EN 61000-6-1,EN 61000-6-2,EN 61000-6-3,EN 61000-6-4		
BDEW	Integrated		
<b>Normative reference</b>			
CE- compliant according to	EN61000-3-12, EN61000-3-11		
<b>General data</b>			
Dimensions (WxHxD) [mm]	500*720*175		
Weight [kg]	50		
Installation environment	Indoor and Outdoor		
Mounting information	Wall bracket		
Operating temperature range	-20°C ... +60°C ( up 45°C derating )		
Relative humidity	0% ~ 98%, no condensation		
IP protection type	IP 65 according to EN 60529		
Isolation type	Transformerless		
Cooling concept	Fan cooling		
Noise level	< 50 dB(A)		
LED display	3		
LCD display	800X480 Pixel TFT LCD		
Communication interface	RS485 / RS232 / USB / Wireless(Optional)		
Standard warranty	5years		